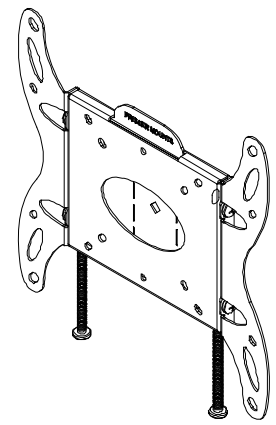
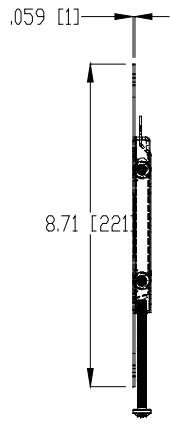
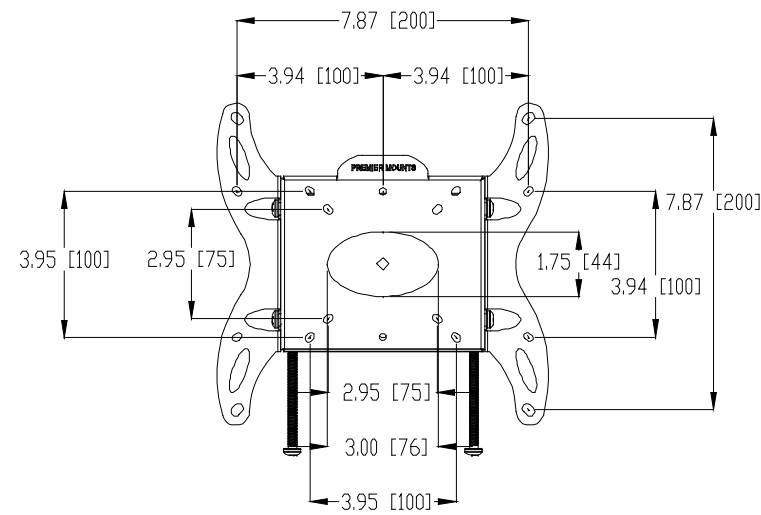
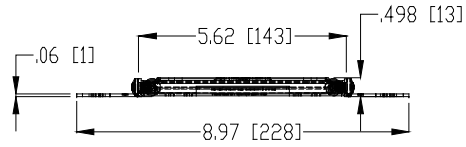


THE INFORMATION CONTAINED IN THIS DRAWING IS THE SOLE PROPERTY OF PREMIER MOUNT DIVISION OF <PMPI> ANY REPRODUCTION IN PART OR WHOLE WITHOUT THE WRITTEN PERMISSION OF PREMIER MOUNT DIVISION OF <PMPI> IS PROHIBITED.

REVISIONS			
REV.	DESCRIPTION	DATE	APPROVED



FRONT ISOMETRIC

Architectural Specifications
 The wall mount will be a Premier Mounts LPFM-1532, or equivalent, and can be used to mount flat panel displays from a variety of wall structures. It will mount to wood joists or concrete. It will be made of cold-rolled steel and will support up to 50lbs. Assembly and installation will be performed according to the instructions provided by the manufacturer.

Surface Types - Wood or Concrete
 Weight Capacity - 50lbs.
 Dimensions - 8.97' (W) x 8.71' (H) x .498' (D)
 Attachment - Wood Screws and Plastic Anchors