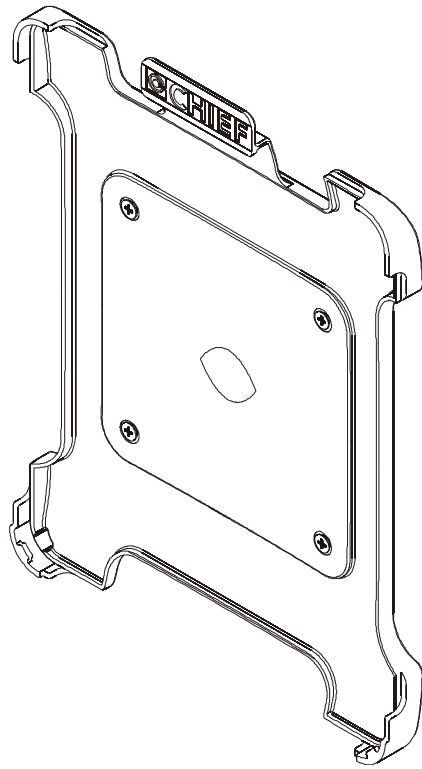
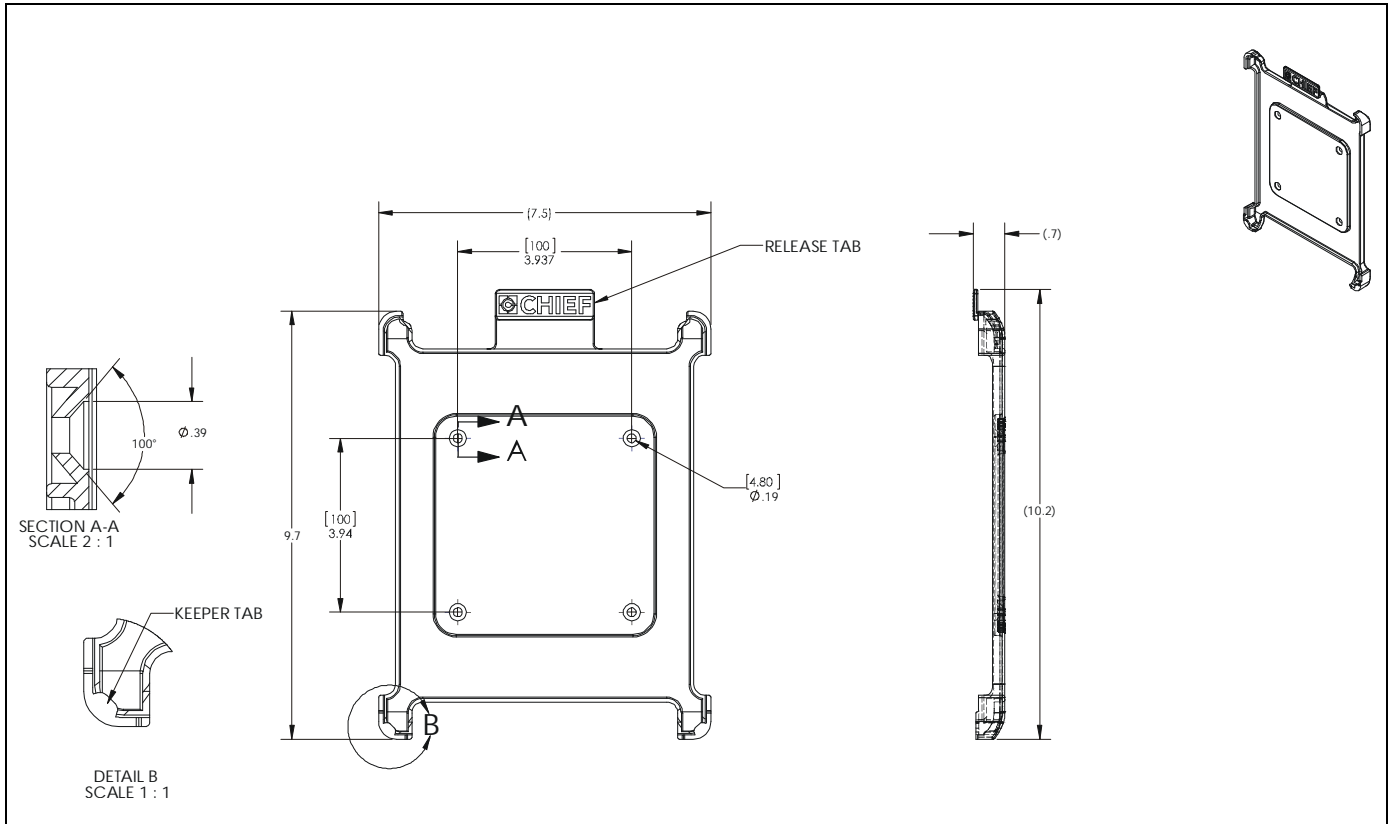

INSTALLATION INSTRUCTIONS

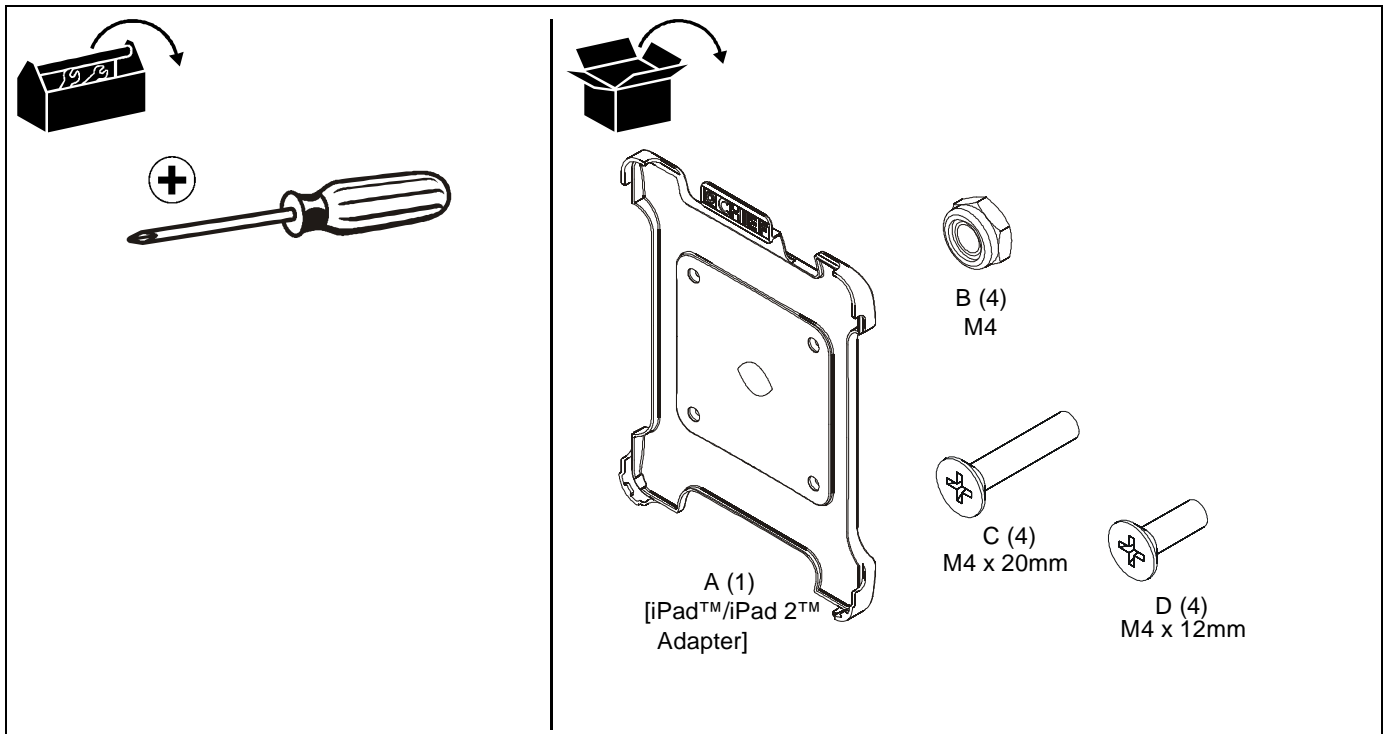


Custom iPad™ Interface Adapter

DIMENSIONS - FSBI2B



TOOLS / PARTS FOR INSTALLATION



ASSEMBLY AND INSTALLATION

NOTE: The FSBIB adapter is compatible with first generation iPad™ alone, not mounted in a case. The FSBI2B adapter is compatible with the second generation iPad™ (iPad 2™) alone, not mounted in a case.

NOTE: Mounts directly to any 100mm x 100mm (maximum) faceplate or can be mounted using mounting buttons.

Attach Directly to Faceplate

1. Secure iPad™ adapter to mount by installing four M4x12mm Phillips flat head screws (D) through four holes on adapter (A), four mounting holes on mounting head and into four M4 hex nuts (B). (See Figure 1)

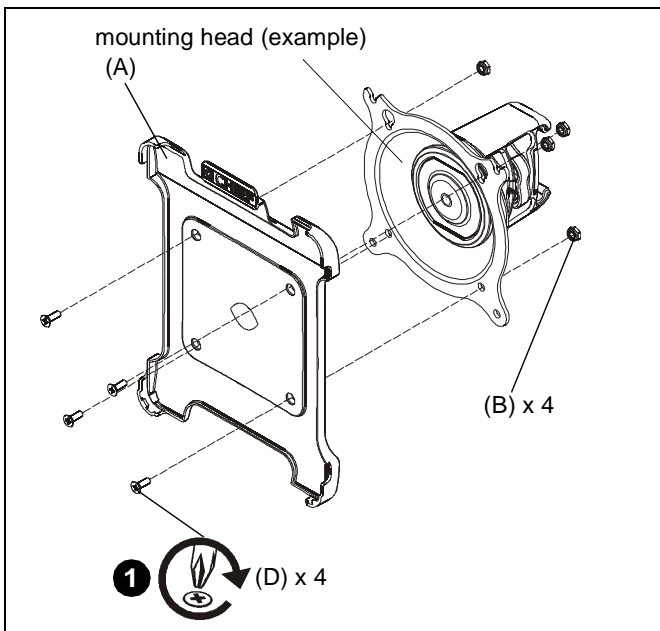


Figure 1

Attach Using Mounting Buttons

1. Secure four mounting buttons (included with mount) to iPad™ adapter (A) by installing four M4x20mm Phillips flat head screws (C) through four holes on adapter (A), four mounting buttons and into four M4 hex nuts (B). (See Figure 2)

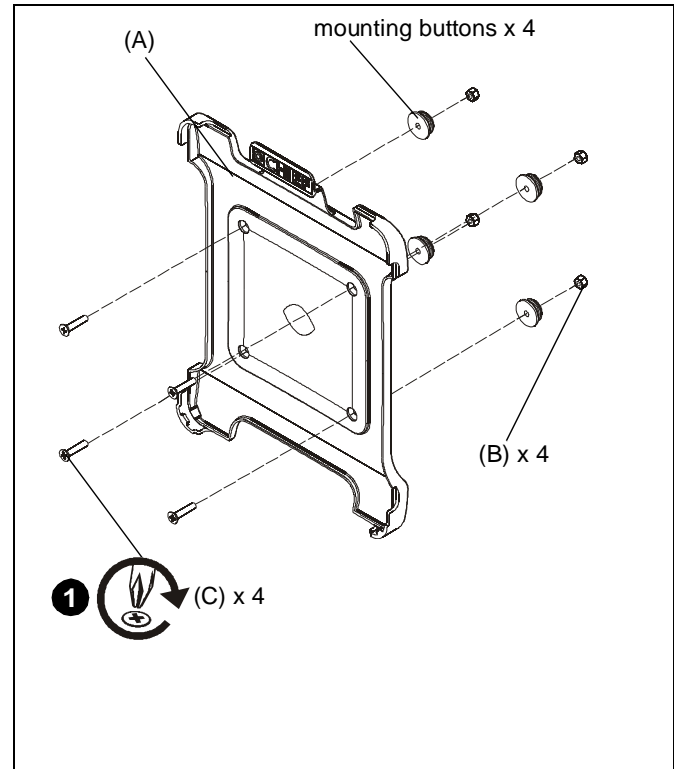


Figure 2

2. Use mounting buttons to attach iPad™ adapter to mount following the mount's installation instructions.