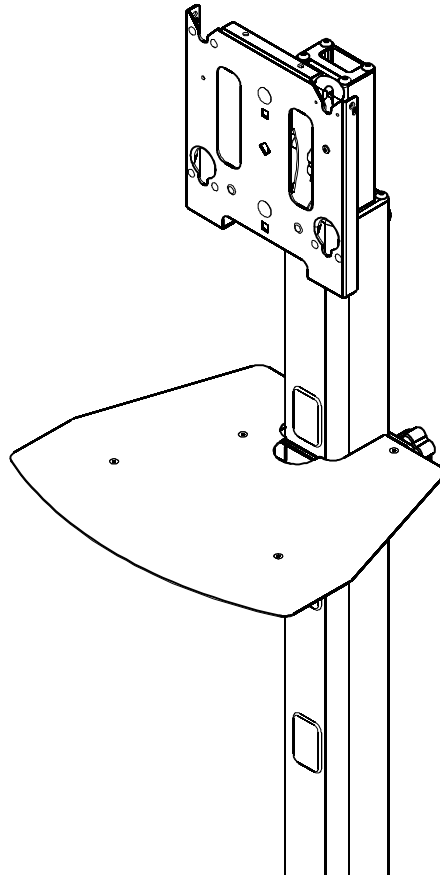
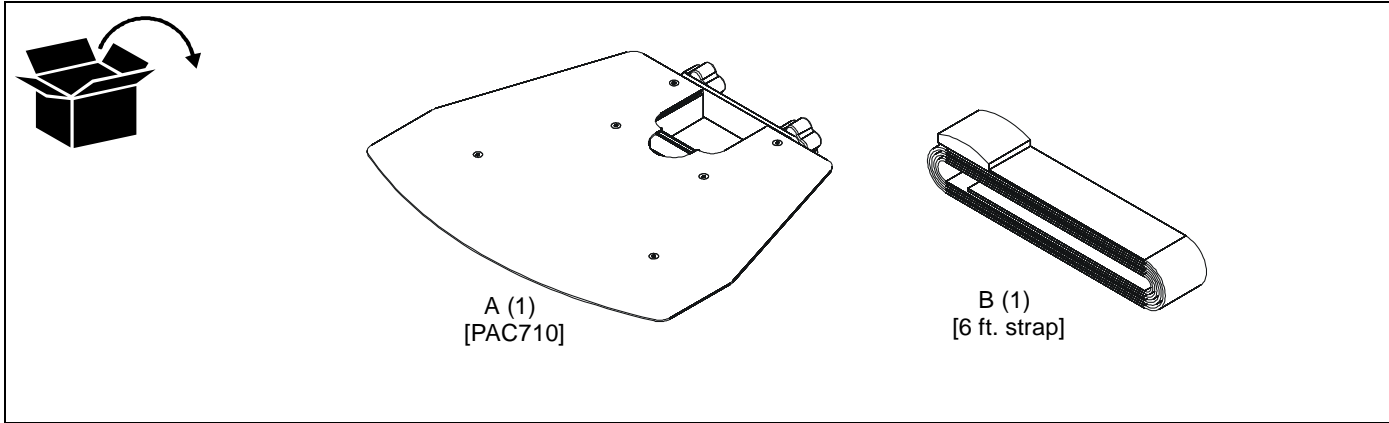


INSTALLATION INSTRUCTIONS



Shelf Accessory

PARTS



INSTALLATION

WARNING: IMPROPER INSTALLATION CAN LEAD TO EQUIPMENT FALLING CAUSING SERIOUS PERSONAL INJURY OR DAMAGE TO EQUIPMENT! DO NOT substitute hardware! Use only hardware provided by manufacturer.

WARNING: EXCEEDING MAXIMUM WEIGHT CAPACITY MAY LEAD TO SERIOUS PERSONAL INJURY OR DAMAGE TO EQUIPMENT! It is the user's responsibility to ensure the total amount of weight placed on the shelf does not exceed 25 lbs (11.34 kg).

Shelf Installation

The PAC-710 is designed to be mounted onto the MFC Series carts. The shelf may only be installed BELOW the adjustment knob on the center post. (See Figure 1)

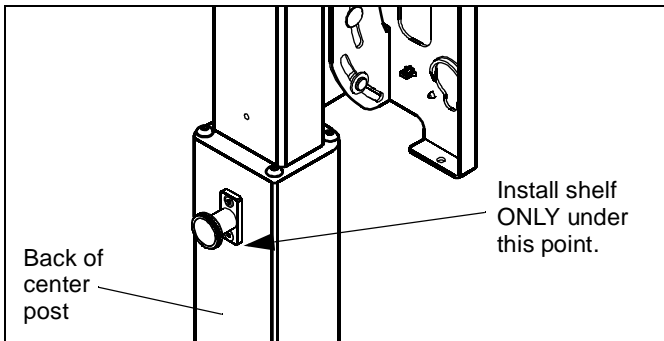


Figure 1

1. Loosen back bracket on shelf (A) by turning both knobs counterclockwise to loosen them. **Do NOT remove knobs.** (See Figure 2)

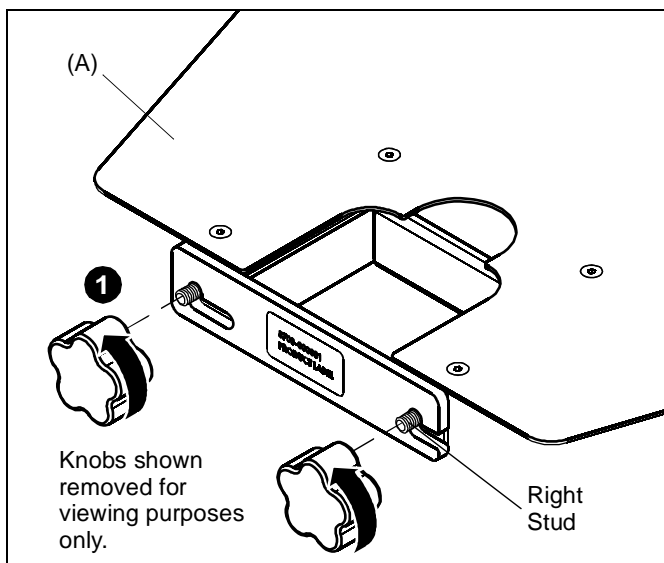


Figure 2

2. Slide bracket to the left until it disengages from the shelf's right stud. (See Figure 3)

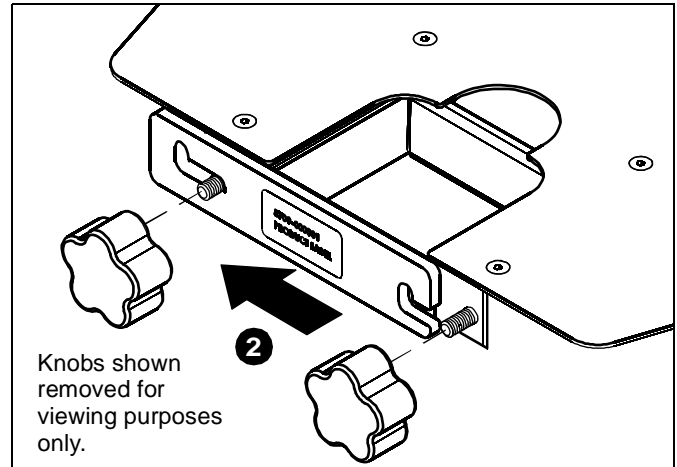


Figure 3

3. Let the bracket drop down and hang from the shelf's left stud. (See Figure 4)

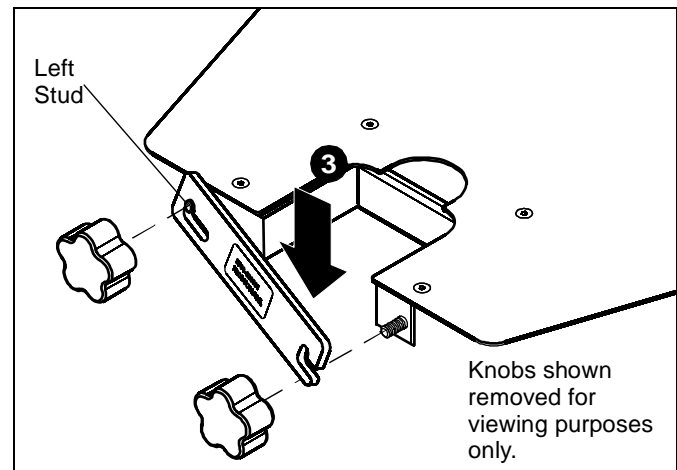


Figure 4

4. Shelf should be located directly above or directly below a cable management opening in the post. (See Figure 5)

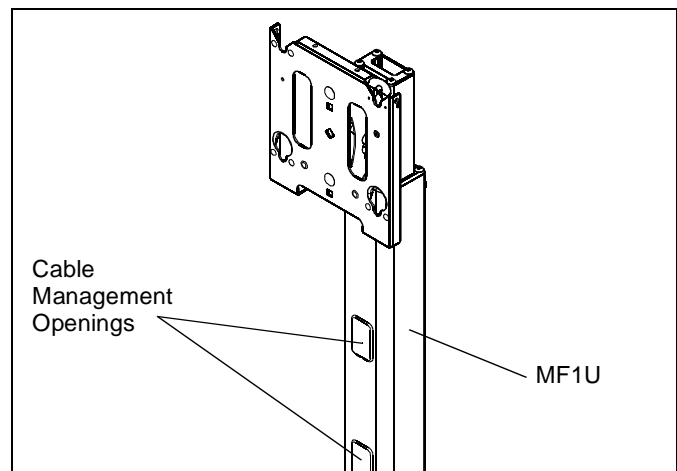


Figure 5

5. Place shelf around center post and level. (See Figure 6)
6. Raise shelf bracket and hook over shelf's right stud. (See Figure 6)

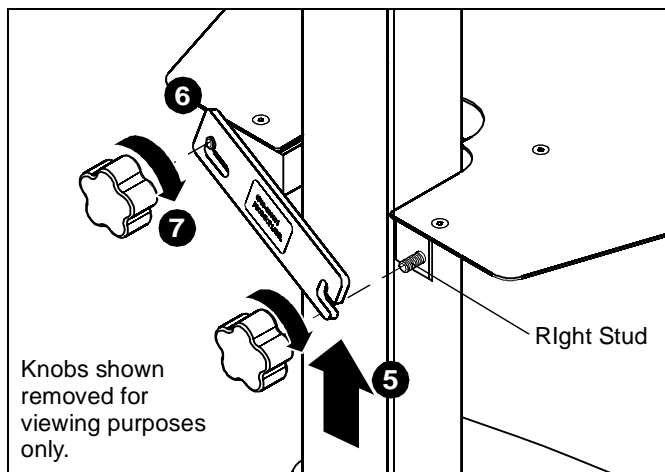


Figure 6

7. Turn both knobs clockwise to tighten the shelf in place. (See Figure 6)



CAUTION: This shelf is intended for use with equipment weighing not more than 25 lbs (11.34 kg) and having dimensions that will permit it to sit evenly on this shelf. Use with other equipment may result in instability causing possible injury.



CAUTION: Do NOT sit or hang on the shelf. Such use may result in instability causing possible injury and damage to equipment.



CAUTION: Equipment MUST be fastened to the shelf before moving the cart. If equipment is not fastened to the shelf it MUST be removed before moving the cart.

Installing Safety Strap

1. Place equipment on shelf (A).
2. Thread strap (B) through slots in shelf (A). (See Figure 7)

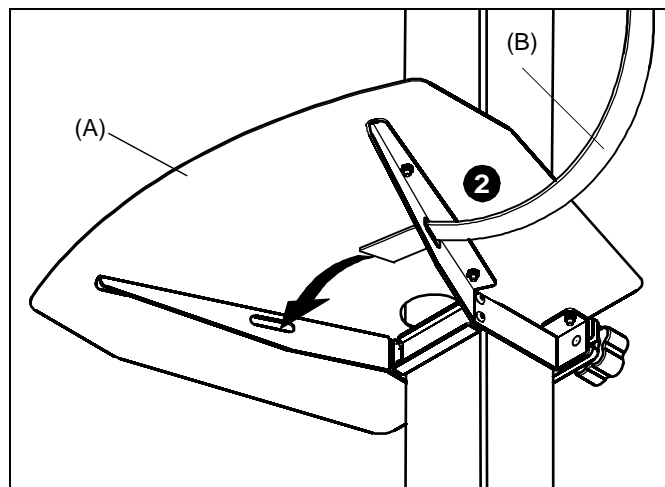


Figure 7

3. Loop strap (B) over top of equipment and slide strap end into clasp. (See Figure 8)

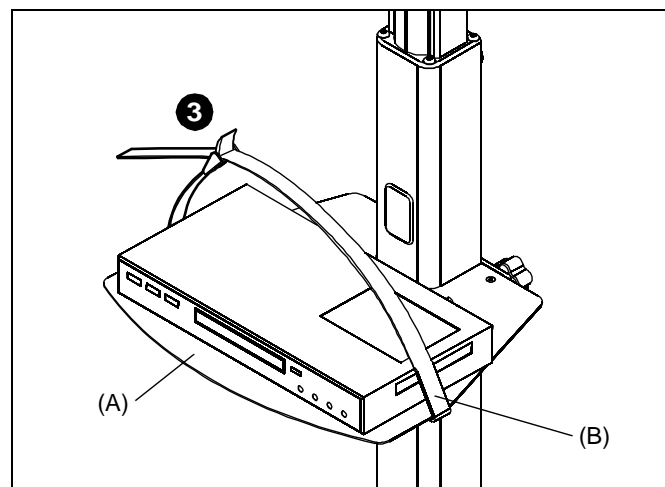


Figure 8

4. Pull strap (B) until tight around equipment and press clasp closed to secure. (See Figure 9)

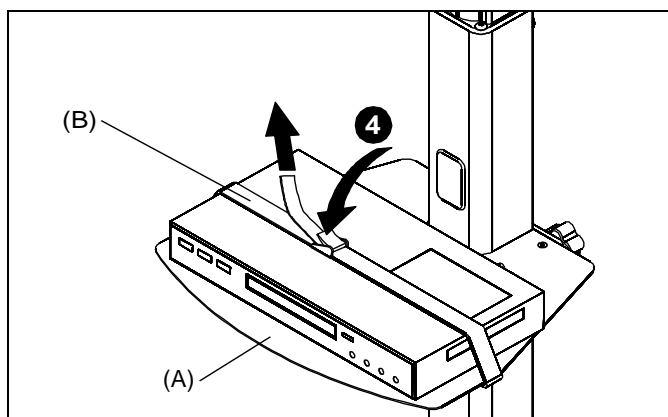


Figure 9

Cable Management

Follow cable management instructions in the cart installation instructions.