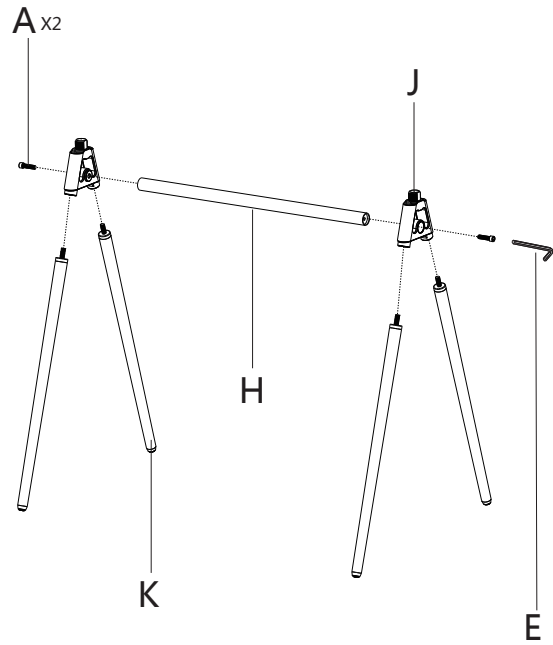
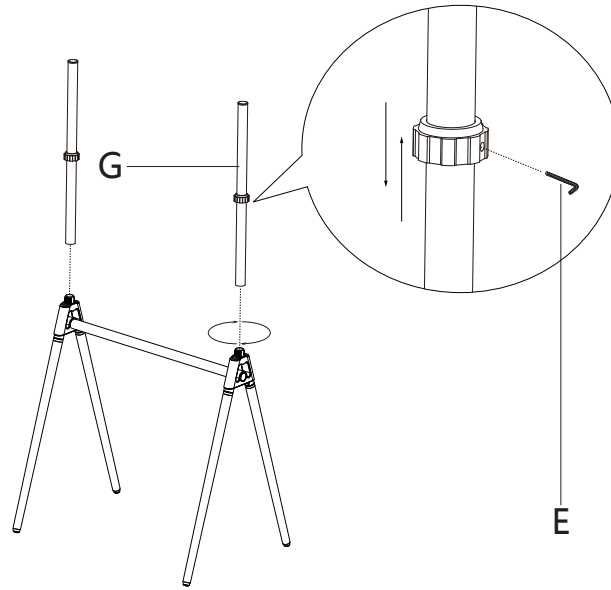


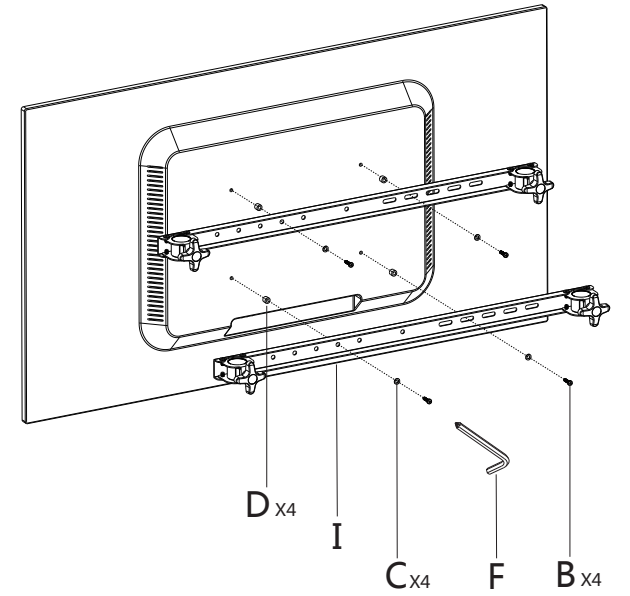
1



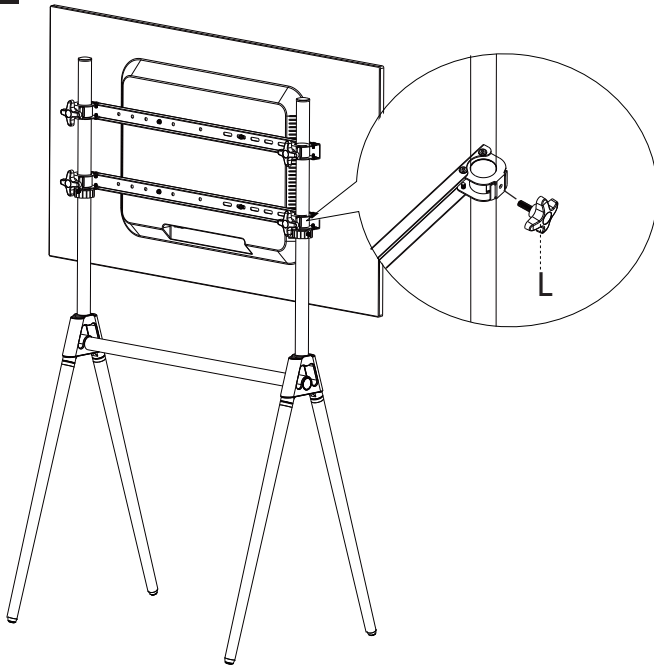
2



3



4



A	M10x45mm	2	J		2
B	M8x45mm + M6x35mm + M4x20mm	4	K		4
C	$\Phi 22 \times 8.5 \text{mm}$ + $\Phi 18 \times 6.5 \text{mm}$	4	L		2
D	$\Phi 18 \times 8.5 \times 12 \text{mm}$ + $\Phi 12 \times 6.5 \times 10 \text{mm}$	4			
E		1			
F		1			
G		2			
H		1			
I		2			