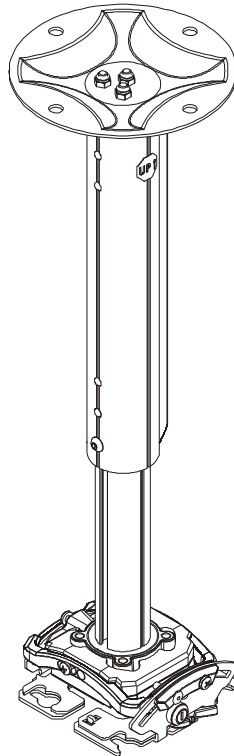


---

# INSTALLATION INSTRUCTIONS

---



---

## Projector Mount Kits

---

## DISCLAIMER

Milestone AV Technologies and its affiliated corporations and subsidiaries (collectively "Milestone"), intend to make this manual accurate and complete. However, Milestone makes no claim that the information contained herein covers all details, conditions or variations, nor does it provide for every possible contingency in connection with the installation or use of this product. The information contained in this document is subject to change without notice or obligation of any kind. Milestone makes no representation of warranty, expressed or implied, regarding the information contained herein. Milestone assumes no responsibility for accuracy, completeness or sufficiency of the information contained in this document.

Chief® is a registered trademark of Milestone AV Technologies. All rights reserved.



**WARNING:** Use this mounting system only for its intended use as described in these instructions. Do not use attachments not recommended by the manufacturer.



**WARNING:** Never operate this mounting system if it is damaged. Return the mounting system to a service center for examination and repair.



**WARNING:** Do not use this product outdoors.

**--SAVE THESE INSTRUCTIONS--**



## IMPORTANT SAFETY INSTRUCTIONS



**WARNING:** A WARNING alerts you to the possibility of serious injury or death if you do not follow the instructions.



**CAUTION:** A CAUTION alerts you to the possibility of damage or destruction of equipment if you do not follow the corresponding instructions.



**WARNING:** Failure to read, thoroughly understand, and follow all instructions can result in serious personal injury, damage to equipment, or voiding of factory warranty! It is the installer's responsibility to make sure all components are properly assembled and installed using the instructions provided.



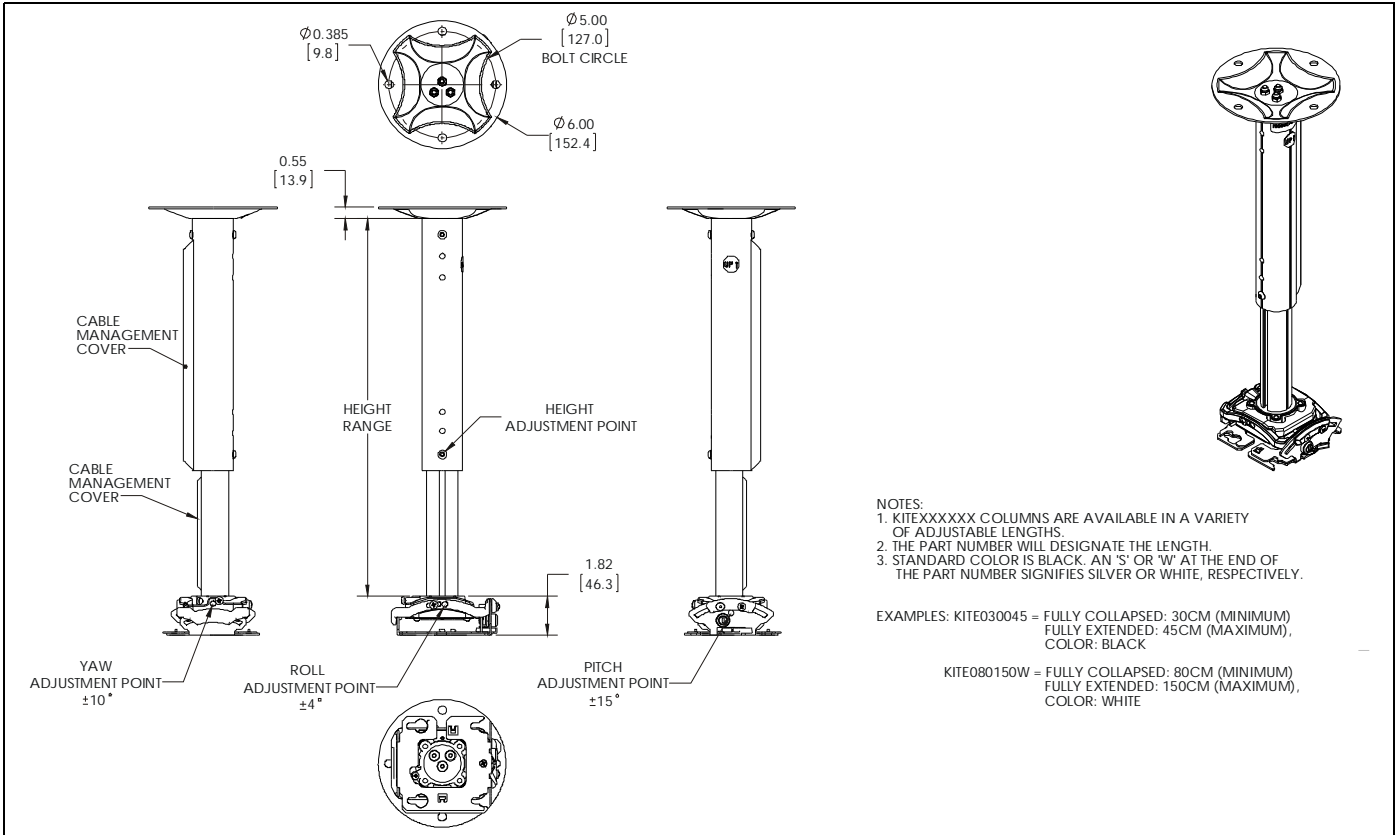
**WARNING:** Failure to provide adequate structural strength for this component can result in serious personal injury or damage to equipment! It is the installer's responsibility to make sure the structure to which this component is attached can support five times the combined weight of all equipment. Reinforce the structure as required before installing the component.





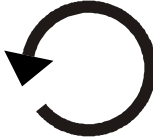


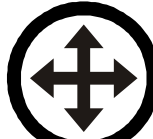






**WARNING:** Exceeding the weight capacity can result in serious personal injury or damage to equipment! It is the installer's responsibility to make sure the combined weight of all components located between the KITE Series mount and the projector does not exceed 25 lbs (11.34 kg).

- The weight capacity of the KITE Series mount may be LIMITED to the lowest weight capacity of any other components located between the mount and the supporting structure!

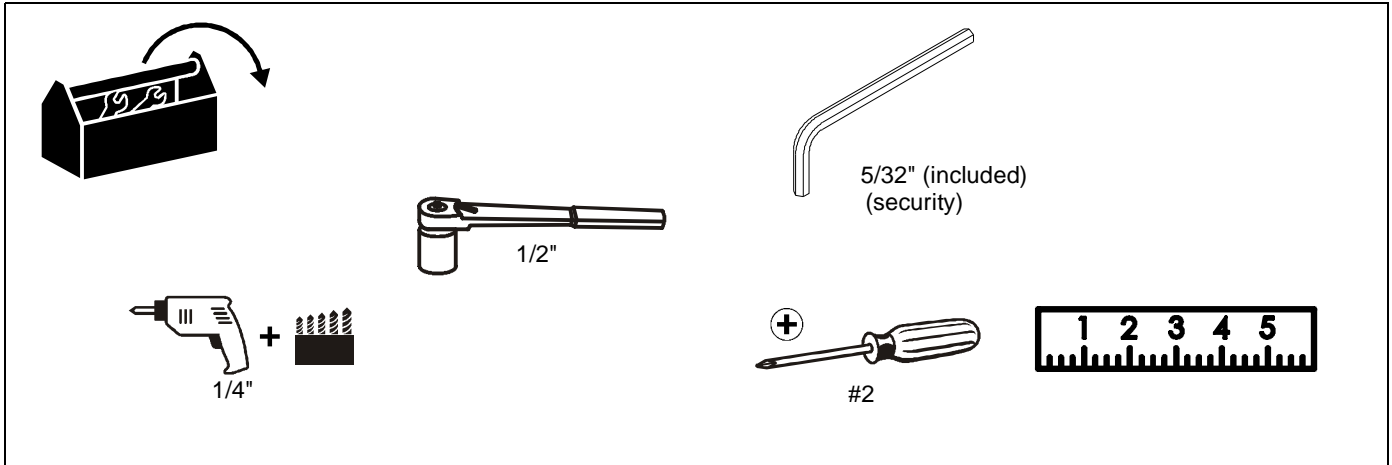
**DIMENSIONS**



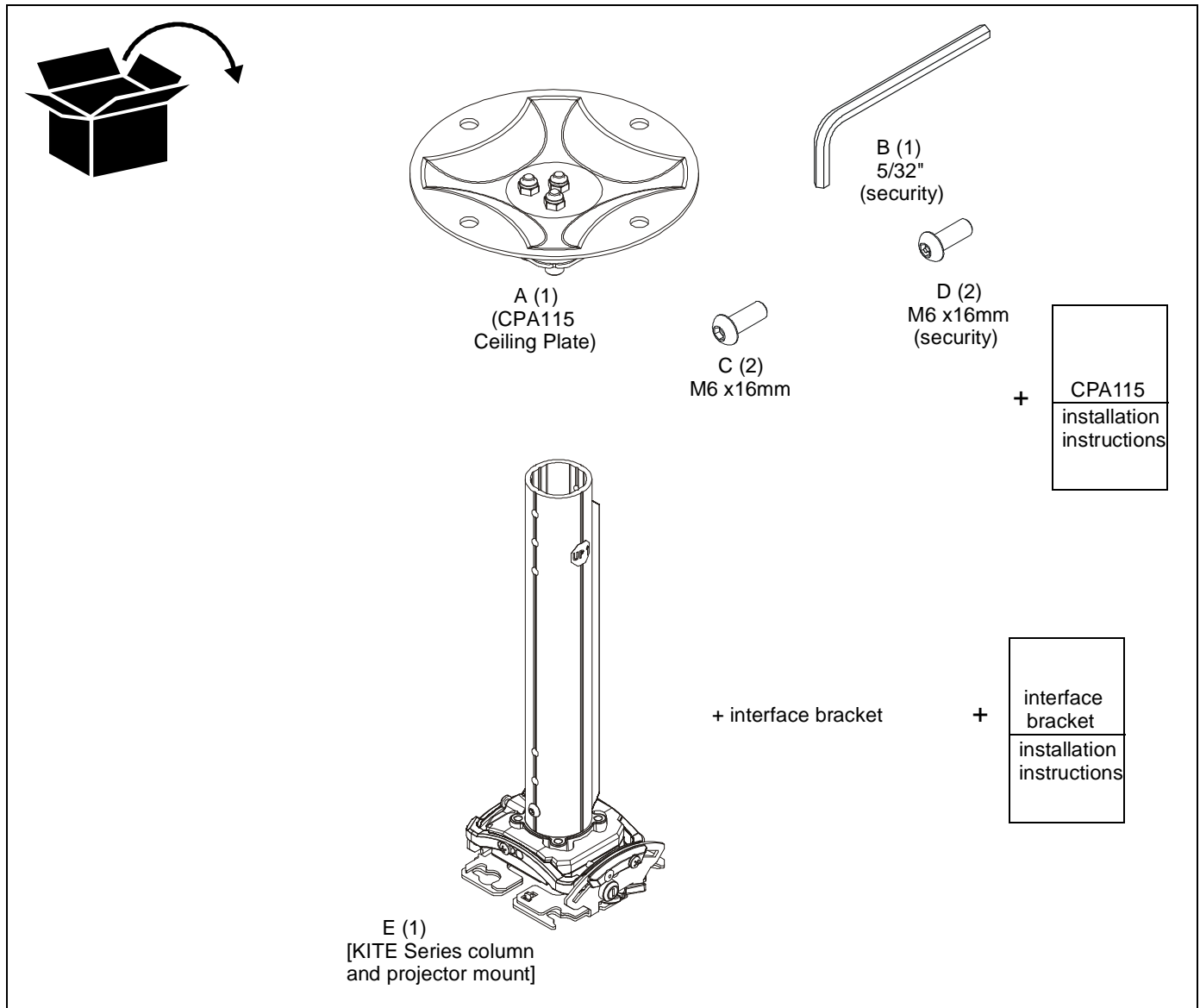
## LEGEND

	<b>Tighten Fastener</b> Apretar elemento de fijación Befestigungsteil festziehen Apertar fixador Serrare il fissaggio Bevestiging vastdraaien Serrez les fixations		<b>Pencil Mark</b> Marcar con lápiz Stiftmarkierung Marcar com lápis Segno a matita Potloodmerkteken Marquage au crayon
	<b>Loosen Fastener</b> Aflojar elemento de fijación Befestigungsteil lösen Desapertar fixador Allentare il fissaggio Bevestiging losdraaien Desserrez les fixations		<b>Drill Hole</b> Perforar Bohrloch Fazer furo Praticare un foro Gat boren Percez un trou
	<b>Phillips Screwdriver</b> Destornillador Phillips Kreuzschlitzschraubendreher Chave de fendas Phillips Cacciavite a stella Kruiskopschroevendraaier Tournevis à pointe cruciforme		<b>Adjust</b> Ajustar Einstellen Ajustar Regolare Afstellen Ajuster
	<b>Open-Ended Wrench</b> Llave de boca Gabelschlüssel Chave de bocas Chiave a punte aperte Steeksleutel Clé à fourche		<b>Remove</b> Quitar Entfernen Remover Rimuovere Verwijderen Retirez
	<b>By Hand</b> A mano Von Hand Com a mão A mano Met de hand À la main		<b>Optional</b> Opcional Optional Opcional Opzionale Optie En option
	<b>Hex-Head Wrench</b> Llave de cabeza hexagonal Sechskantschlüssel Chave de cabeça sextavada Chiave esagonale Zeskantsleutel Clé à tête hexagonale		<b>Security Wrench</b> Llave de seguridad Sicherheitsschlüssel Chave de segurança Chiave di sicurezza Veiligheidsleutel Clé de sécurité

**TOOLS REQUIRED FOR INSTALLATION**



**PARTS**



### Assembly And Installation

1. Install CPA115 ceiling plate to ceiling following CPA115 installation instructions.
2. Making sure holes on KITE Series column (E) and CPA115 mount (A) are aligned, install column onto CPA plate adapter. (See Figure 1)
3. Install either one M6x16 button head screw (C) or security screw (D) into hole on side of CPA pipe where the adapter plate on CPA adapter is located. (See Figure 1)
4. On the opposite side of CPA pipe, use the other M6x16 button head screw (C) or security screw (D) to secure RSE (A) to CPA column. (See Figure 1)

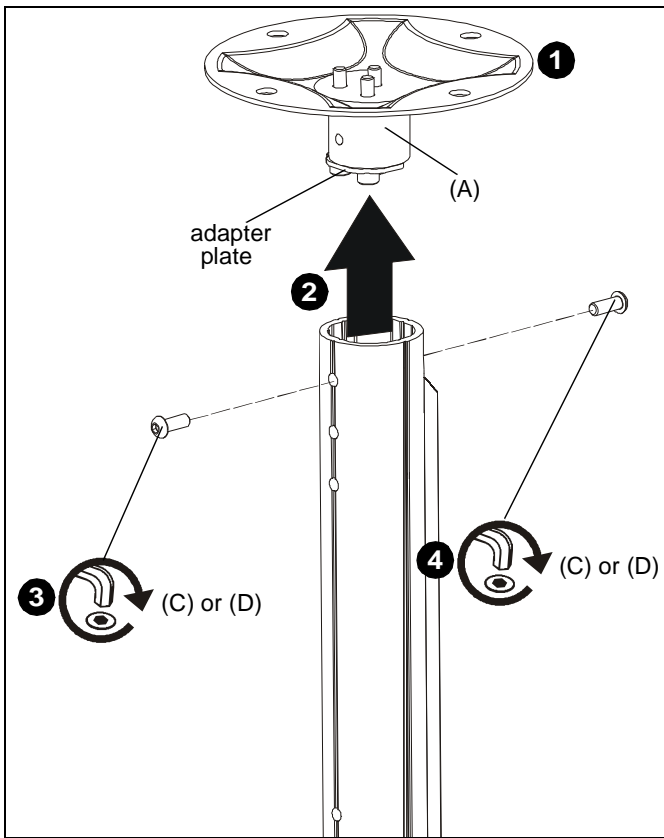


Figure 1

**⚠ WARNING:** Failure to provide adequate support for this mount during the height adjustment process can result in serious personal injury or damage to equipment! Height should be adjusted prior to installing projector to mount!

5. Loosen height adjustment screw. (See Figure 2)
6. While supporting the weight of the projector mount, adjust height as desired. (See Figure 2)
7. Tighten height adjustment screw. (See Figure 2)

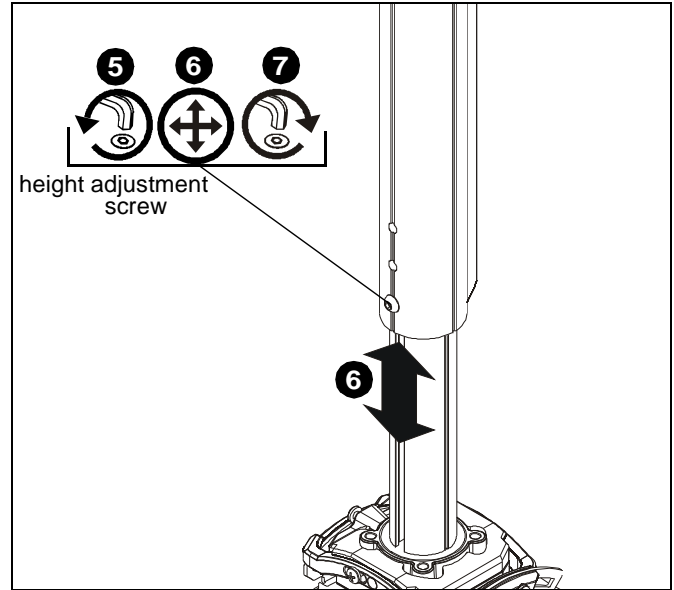


Figure 2

### Projector Installation

#### Install Projector With Interface Bracket

**⚠ WARNING:** IMPROPER INSTALLATION CAN LEAD TO PROJECTOR FALLING RESULTING IN SERIOUS PERSONAL INJURY OR DAMAGE TO EQUIPMENT. DO NOT substitute hardware. Use only the hardware provided by the manufacturer.

1. Secure interface bracket to mount using installation instructions and hardware provided with interface bracket.

**NOTE:** Interface brackets can be installed using the optional All-Points Security Kit included with the SSM mounting solutions.

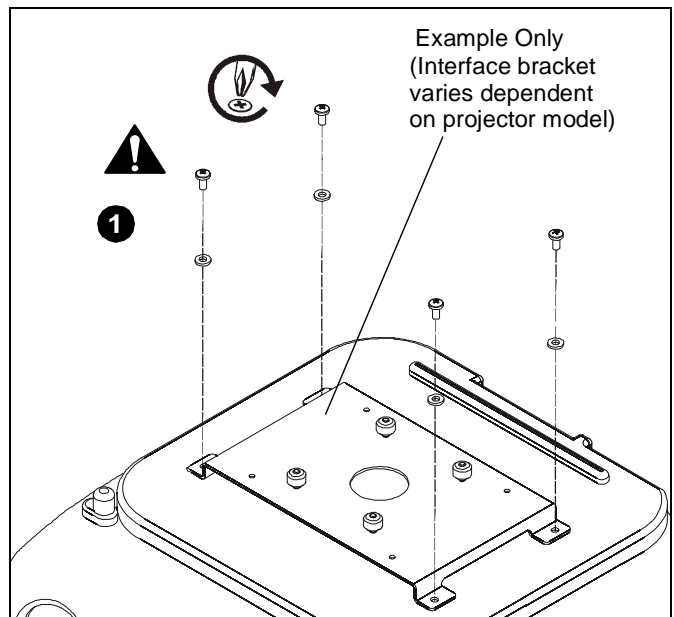


Figure 3

2. Orient projector with interface bracket. (See Figure 4)
3. Lift projector so that screws with thumb nuts are aligned with mounting slots in mount base. (See Figure 4)
4. Slide projector with mounting bracket onto mounting slots in mount base until screws are seated against the back of mounting slots. (See Figure 4)

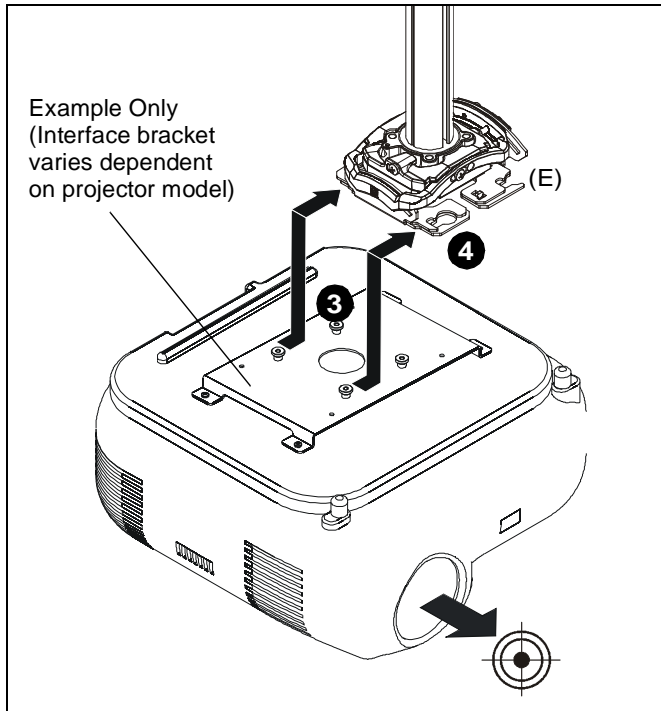


Figure 4



**WARNING:** IMPROPER INSTALLATION CAN LEAD TO PROJECTOR FALLING RESULTING IN SERIOUS PERSONAL INJURY OR DAMAGE TO EQUIPMENT. Make certain mounting slots in mount base slide under thumb screws and that screws are seated in the back of slots.

5. Verify mounting screws are properly seated in mounting slots in mount base.
6. Move locking lever to "Locked" position. (See Figure 5)
7. Insert key into lock and turn to secure projector to mount.

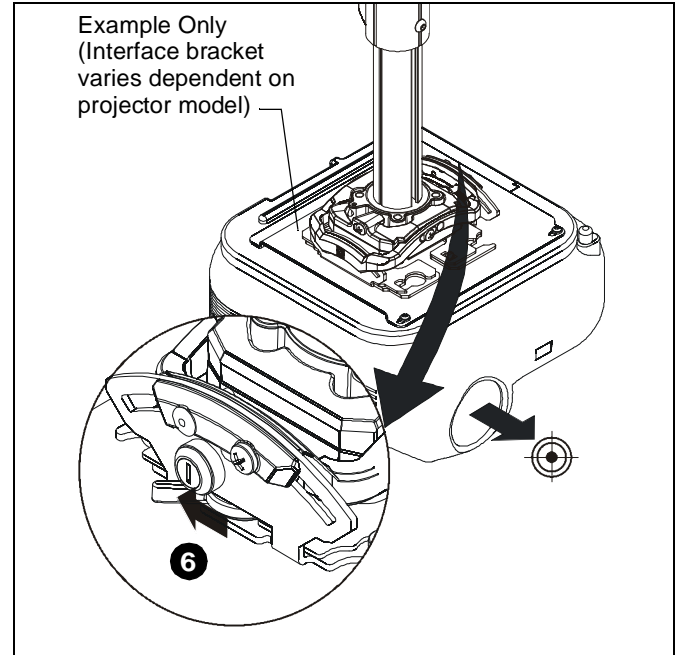


Figure 5

## ADJUSTMENTS

### YAW Adjustment

1. Loosen YAW adjustment locking screw using a #2 Phillips screwdriver. (See Figure 6)
2. Turn YAW micro-adjustment screw right or left using a #2 Phillips screwdriver until image is properly aligned on target. (See Figure 6)
3. Tighten YAW adjustment locking screw using a #2 Phillips screwdriver. (See Figure 6)

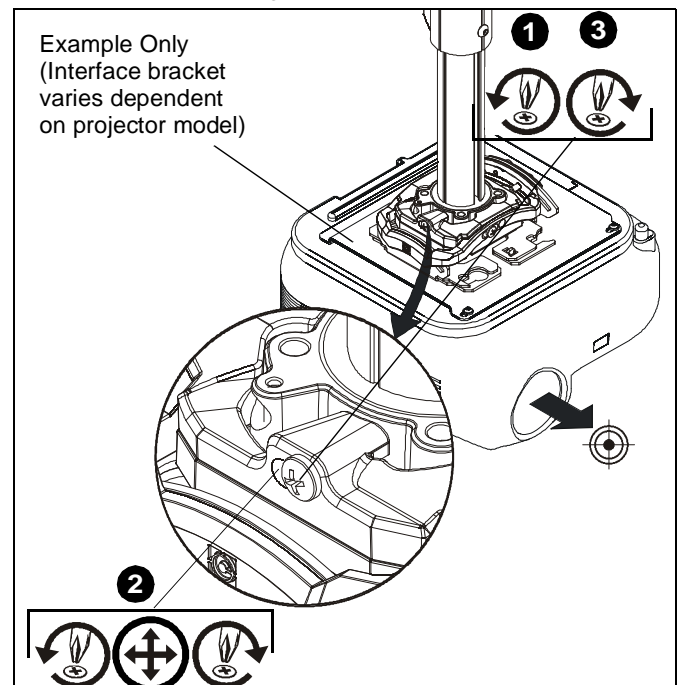


Figure 6

### Pitch Adjustment

1. Loosen PITCH adjustment locking screw using a #2 Phillips screwdriver. (See Figure 7)
2. Turn PITCH micro-adjustment screw right or left using a #2 Phillips screwdriver until image is properly aligned on target. (See Figure 7)
3. Tighten PITCH adjustment locking screw using a #2 Phillips screwdriver. (See Figure 7)

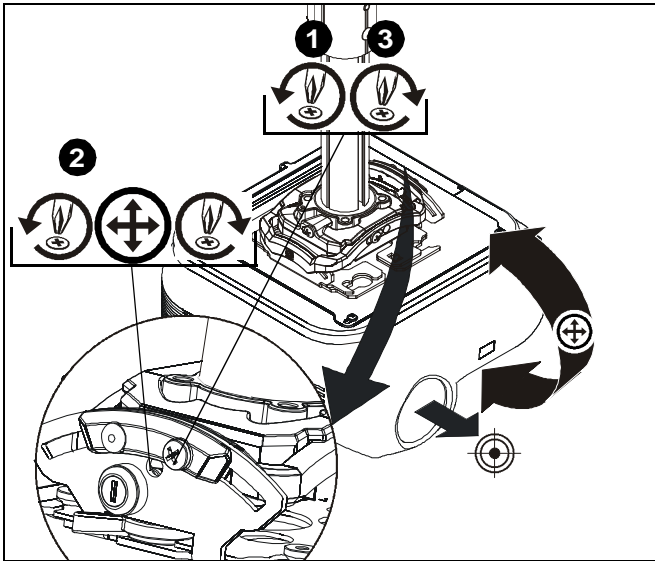


Figure 7

### Roll Adjustment

1. Loosen ROLL adjustment locking screw using a #2 Phillips screwdriver. (See Figure 8)
2. Turn ROLL micro-adjustment screw right or left using a #2 Phillips screwdriver until image is properly aligned on target. (See Figure 8)
3. Tighten ROLL adjustment locking screw using a #2 Phillips screwdriver. (See Figure 8)

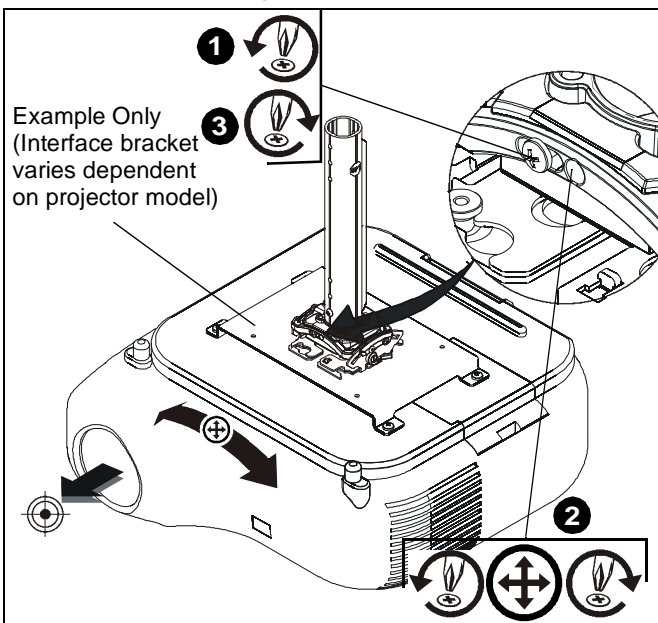


Figure 8

### Height Adjustment



**WARNING:** Failure to provide adequate support for this mount during the height adjustment process can result in serious personal injury or damage to equipment! It is the installer's responsibility to make sure the projector is removed from the mount prior to adjustment and that the weight of the mount is supported while the height is being adjusted! Remove the projector from the mount prior to height adjustment!

1. Remove projector from mount.
2. Loosen height adjustment screw. (See Figure 9)
3. While supporting the weight of the projector mount, adjust height as desired. (See Figure 9)
4. Tighten height adjustment screw. (See Figure 9)
5. Reinstall projector to mount.

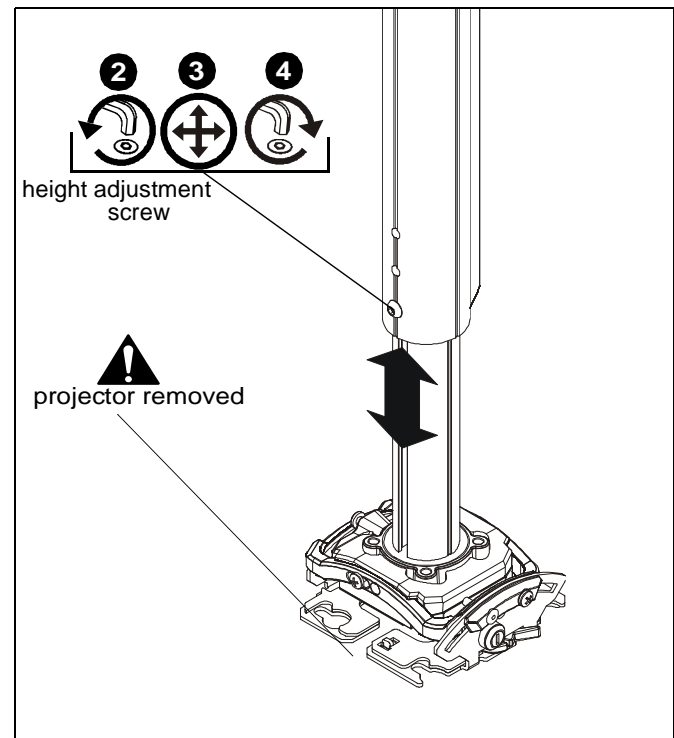


Figure 9



## Cable Management

1. Route cables as desired through cover. (See Figure 10)

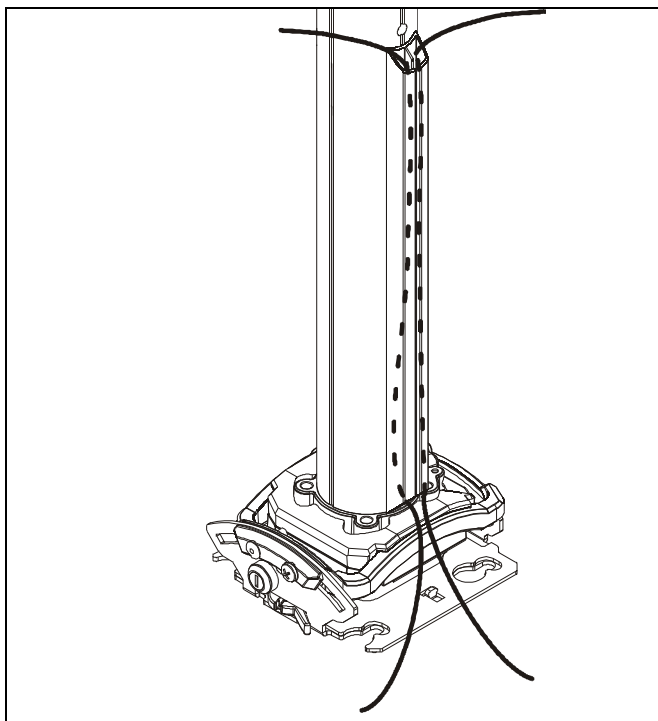


Figure 10