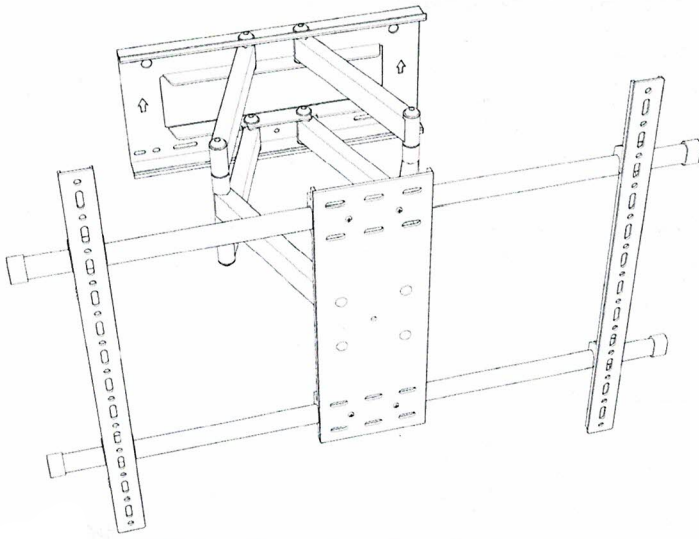
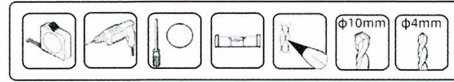


Reinforced multifunctional TV wall-mounted swing frame



DY775S / DY885S / DY995S / DT1095S

A φ10*φ7*70mm	B 7*70mm	C M6*25mm	D M8*30mm	E φ16*φ6.2*1.5mm
F Φ16xΦ8.2x10mm	H M4*6mm	I 10/12mm	J 6mm	

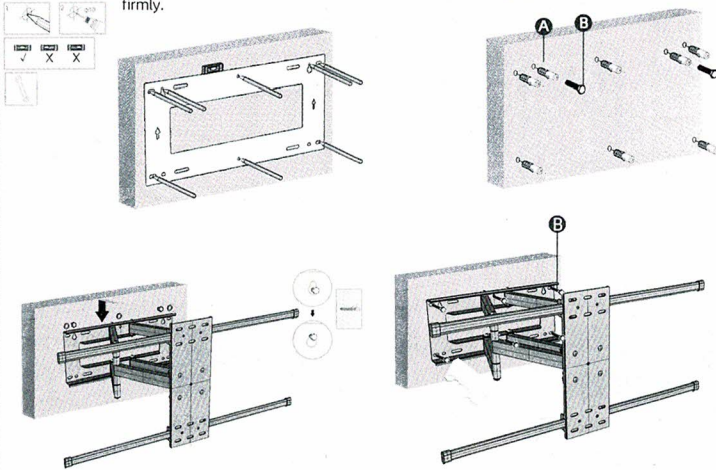


(Please bring your own installation tools)

Read before installation: **Solid wall/Cement concrete pouring wall Please use φ12mm drill bit to make holes**

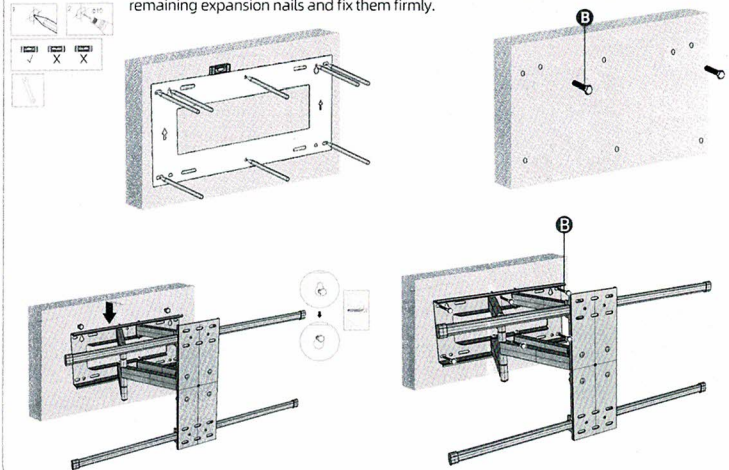
1-a

Conventional wall installation: Take out the swing frame body, mark and punch holes according to the position shown in the figure, then put the expansion pipe into the hole and screw on the two expansion nails shown in the figure. Hang the gourd-shaped holes on the two installed expansion nails, screw in the remaining expansion nails and fix them firmly.



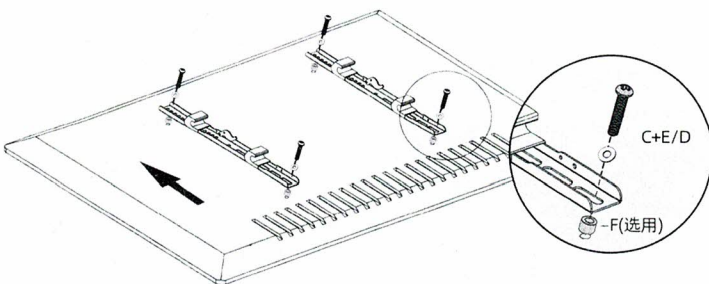
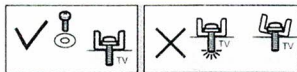
1-b

Wooden reinforcement wall installation: Take out the main body of the swing frame, first drill holes according to the position marks shown in the figure, then put the expansion tube into the hole, and screw on the 2 expansion nails shown in the figure. Hang the gourd-shaped hole of the wallboard on the two installed expansion nails, screw in the remaining expansion nails and fix them firmly.



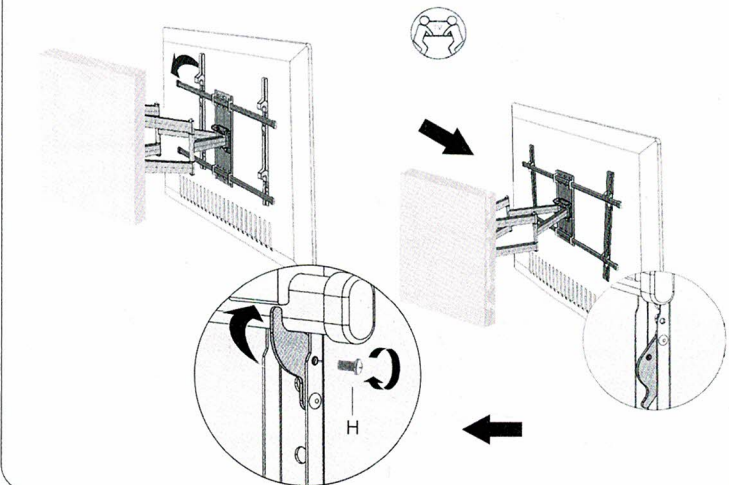
2

Connect the hook to the TV: select the appropriate screw to pass through the metal gasket to connect the TV to the hook, if the back of the TV is not flat or the screw is long, you can choose a cylindrical sleeve



3

Link the TV with the main frame: Combine the TV with the hook installed and the main frame, close the safety and tighten the safety screws.



Warm reminder (please read carefully before installation)

The above installation steps are for reference only. Please refer to the actual product received for installation drawings and accessories. Please make sure that the screws and nuts are tightened firmly during installation. For your safety, they must be used within the specified size and weight range. This product supports the combined installation of expansion screws and expansion pipes for solid walls/hollow bricks/cement walls.

For solid wall/concrete wall installation, please use a larger drill bit to make holes.

If it is installed on glass or glass curtain wall, foam brick, marble, fiberboard wood, please consult a professional installer before installing, otherwise the company will not be responsible for all consequences caused by the installation!