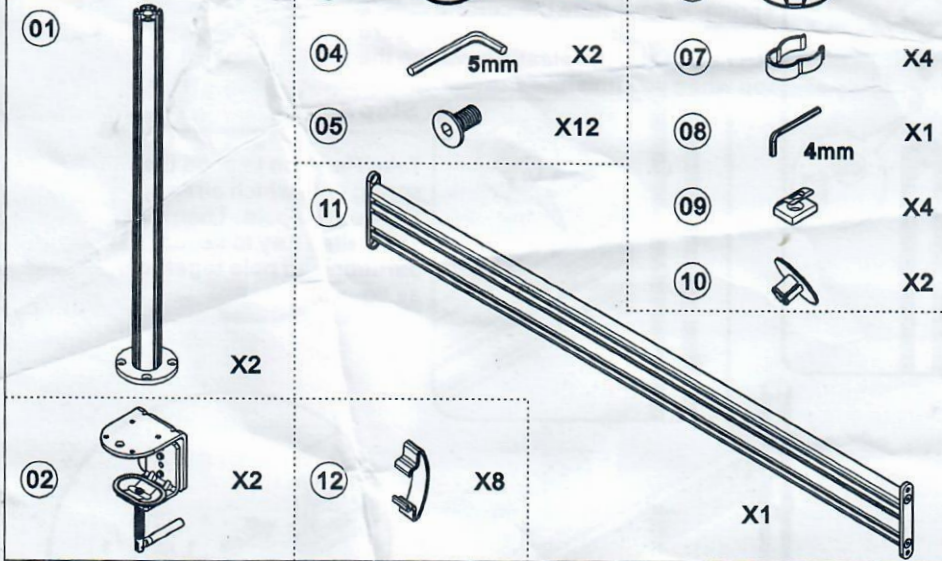


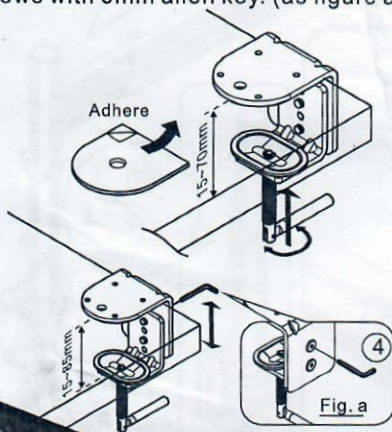
Check - list

Check List



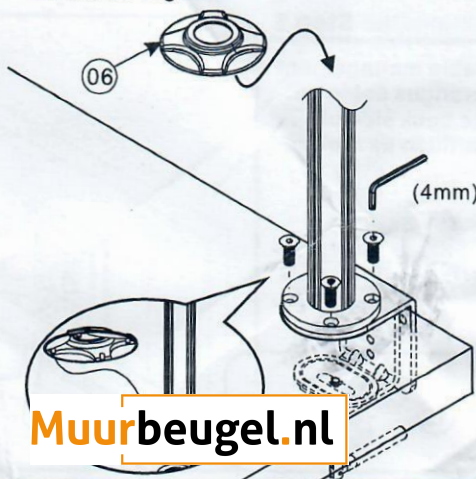
Step 1

Adhere the pad to the clamp base.
Desk thickness from 15mm~70mm.
Then fix the clamp on the desk. If desk
thickness over 70mm, please adjust
screws with 5mm allen key. (as figure a.)



Step 2

Use 4mm Allen key to secure the pole
and clamp with 4 screws.
Then put the plastic cover (06) through
the pole and check the pin position with
the screw together.



PA-101A

2010.03.18

Assembly Guide

Step 3

Follow the pole groove to put the spring. Please note the correct direction to set up the spring as figure F. Then set up the plastic cover on the top when you finish.

Step 4

Take Partition to align the spring hole which already fixes on the pole. Then use 4mm Allen Key to secure the partition and pole together as figure.

Step 5

Cable management arranges cable on the back side of partition as required.

Muurbeugel.nl
ement
on pole
as required.

