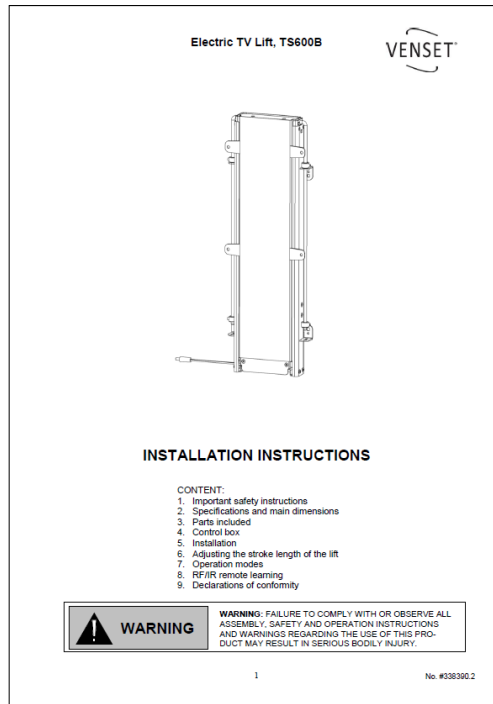


Assembly and use

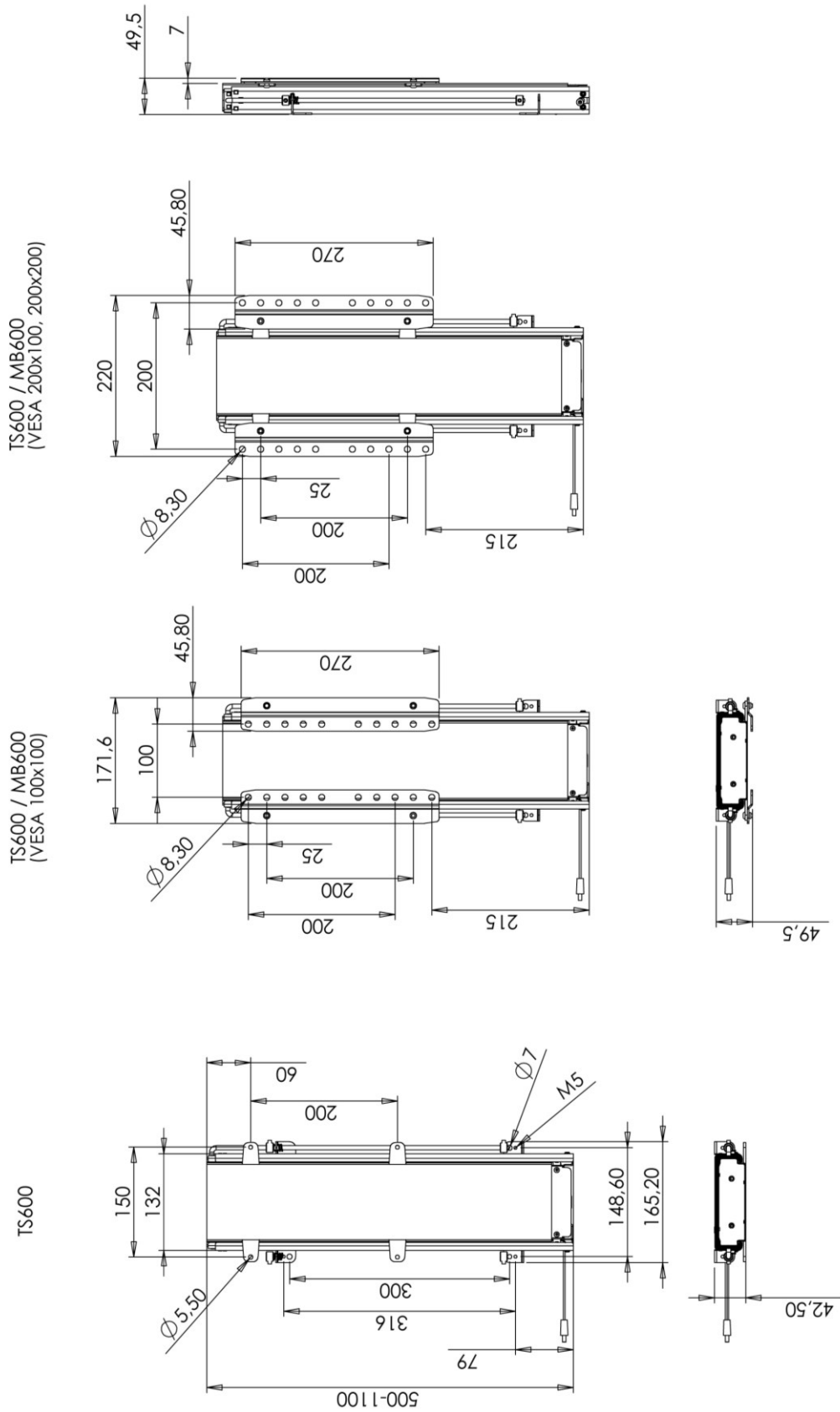
The electrical components should be connected after mounting the lift. All wires have DC jacks or multi plugs and since using different types only the correct connection can be made.

All products come with an instruction manual.



The mechanism can now be operated up and down using the supplied rocker switch. Push "UP" and the lift will expand. Pushing "DOWN" and the lift will contract.

Dimensions [mm]



Specifications

Mechanism

| | |
|---------------------|---|
| Stroke | 600mm |
| Max. working loads: | 12 kg 15 kg peak load |
| Duty cycle: | 10% by 50% of working load or max 2 min. continuously |
| Speed | 40 mm/sec (unloaded) |
| VESA | 200x200 / 200x100 / 100x100 |

Component

| | |
|---------------------|---|
| Metal sheet parts: | St 37-2 |
| Gear parts: | St 70-2 |
| Gear motor: | VENSET brand motor no. 130960 |
| Power supply: | 70W switch mode AC Power Transformer, 110-220VAC input |
| Plastic components: | PE-HD, POM, ABS |
| Surface treatment | Visible metal parts powder coated in black colour, RAL 9004 Non visible metal parts are surface treated (e.g. black plated) |
| Operating system: | Rocker switch (RF remote system is optional) |

Safety & test

Declaration of conformity

We hereby declare, under our sole responsibility that the following products:

- VENSET electric lift mechanism product type TS600B

which are covered by this statement, are in conformity with the following standards and other normative documents::

- Counsel Directive 89/336/EØF with later changes
- Counsel Directive 73/23/EØF with later changes